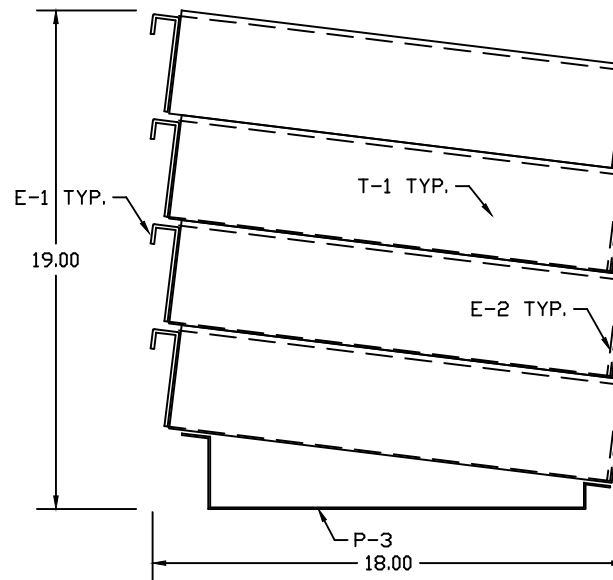
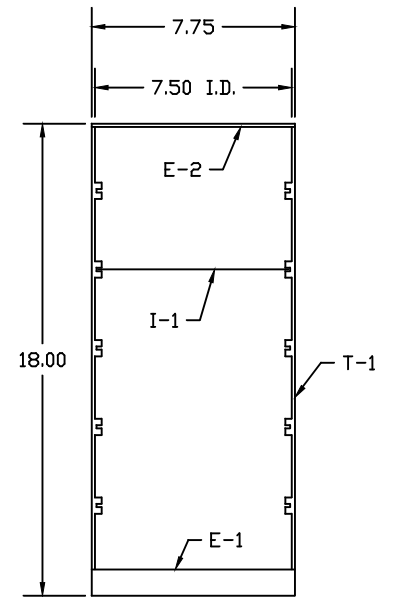


FRONT VIEW



SIDE VIEW



TRAY DETAIL

PARTS
 P-1 T-1 E-1 E-2 I-1 P-3
 O

PART #	MAT'L	GAUGE	WIDTH	LENGTH	QTY
BILL OF SHEET METAL MATERIALS					

AG BODY	C-SIZE SCALE: 1"=4"	JOB #
CUSTOMER:	# REQ'D:	
REF:	PAINT:	
START DATE:	NEED BY:	
DRAWING # 16134	REV DATE: 10/25/06	

BOLT BINS