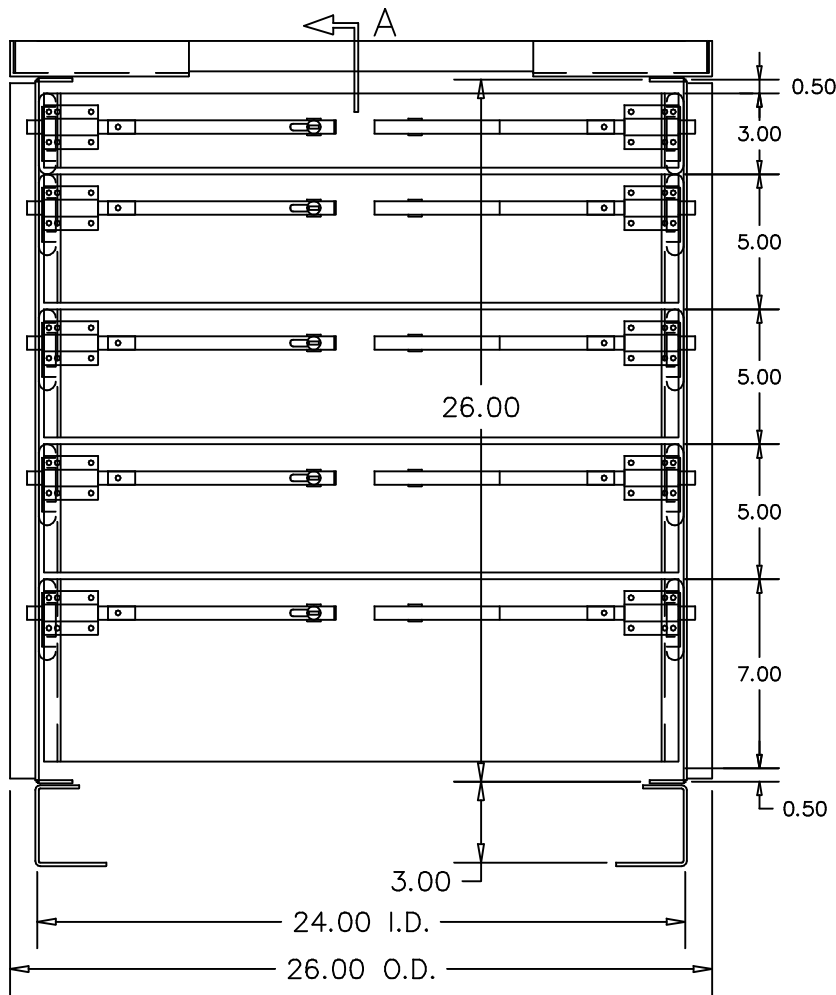
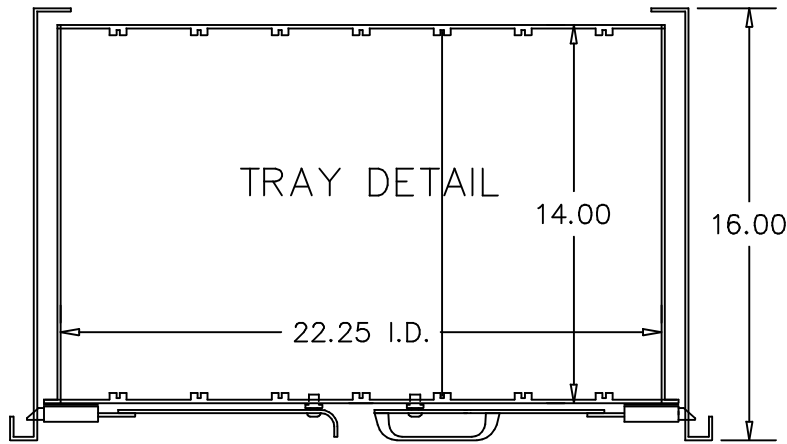
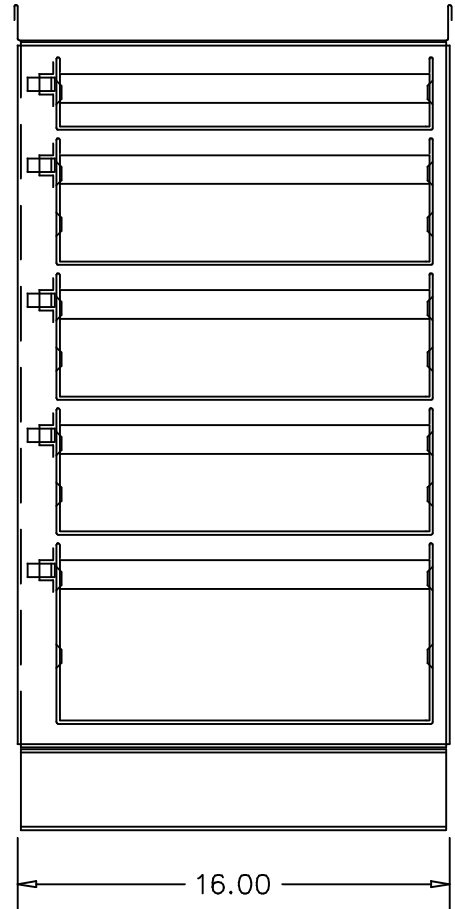


P/N	MAT'L	GAGE	WIDTH	LENGTH	QTY
DWG# 19641B					



*HEAVY DUTY SERIES*



**CUSTOMER APPROVAL**

PLEASE MARKUP OR SIGN AS APPROVED AND FAX BACK TO (801) 363-8119

SIGNED:

P.O. #

DATE: