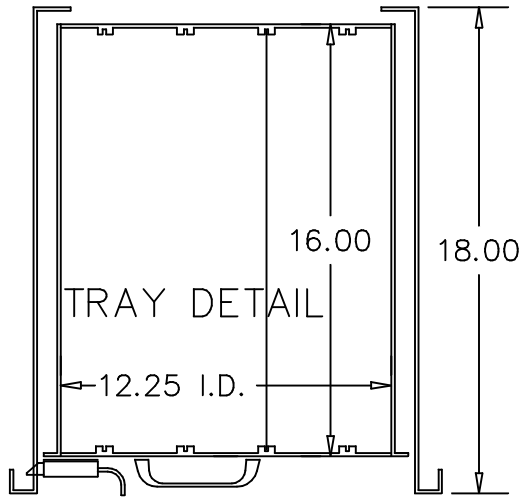
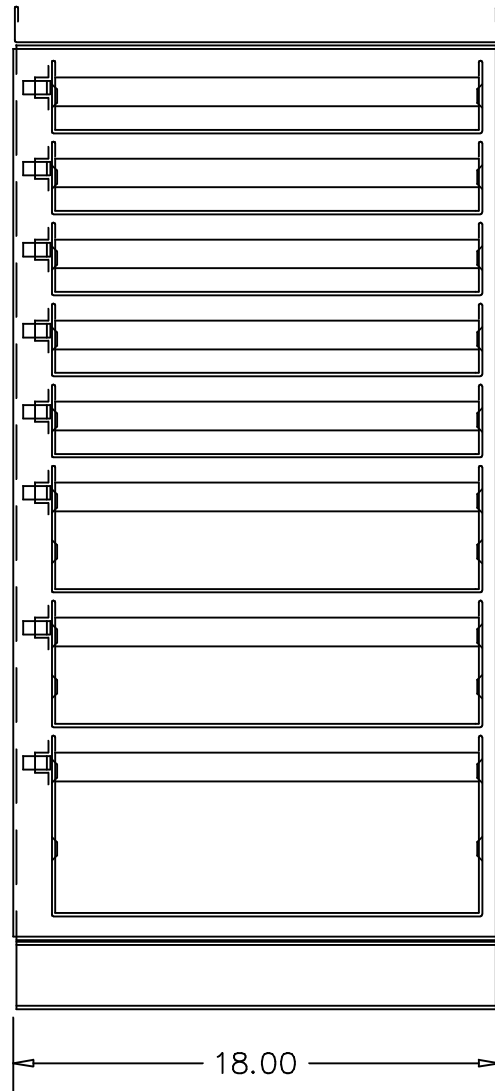
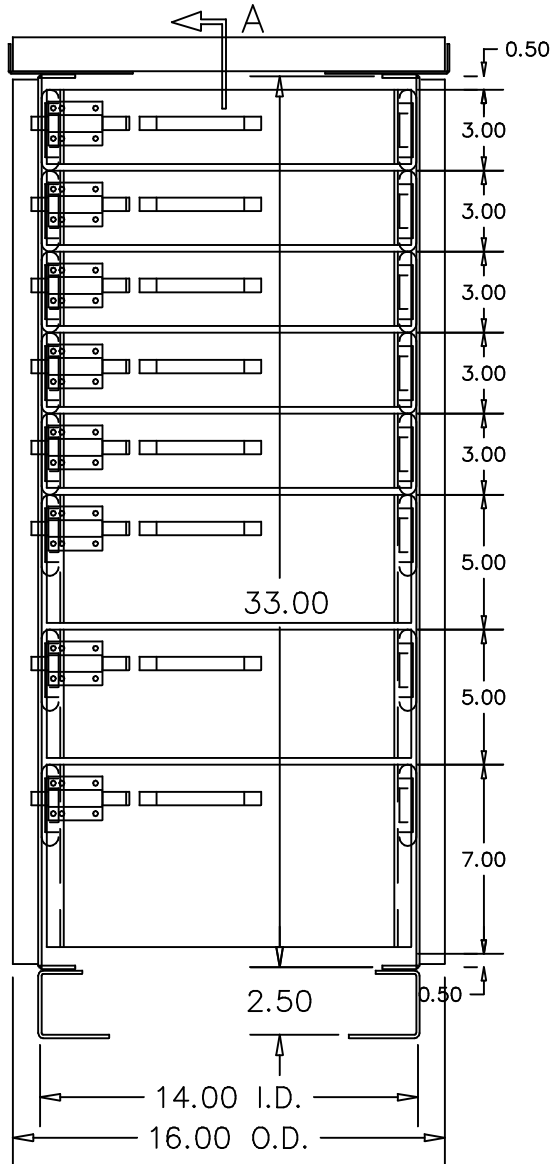


P/N	MAT'L	GAGE	WIDTH	LENGTH	QTY



*HEAVY DUTY SERIES*



**CUSTOMER APPROVAL**

PLEASE MARKUP OR SIGN AS APPROVED AND FAX BACK TO (801) 363-8119

SIGNED:	P.O. #	DATE:
---------	--------	-------